

Austermann Collection Fall/Winter 2010 Pattern 14



All rights reserved. No part may be reproduced in any form without written permission from the publisher. This includes the reproduction, translation and microfilming as well as storing and processing in electronic systems. It is also not permitted to scan, save to PC or CD, to change or manipulate images.

**Schoeller Süßen GmbH · Postfach 1160 · D-73073 Süßen ·
Phone +49/7162-93050-15 · Fax +49/7162-430-80 · www.austermann-wolle.de**

14 Woman's Coat

Size

Instructions are for Woman's Size Small/Medium.

Materials – Luana from Austermann

**58% extrafine Merino Wool, 28% Polyamide, 14% Baby-Alpaca, each ball = approx 50 m/ 25 g
14 balls in color #10 brombeer (blackberry)**

One pair size US 15 (10 mm) needles, OR SIZE TO OBTAIN GAUGE,
from Schoeller + Stahl. Cable needle (cn)

Gauge 1: 11 sts and 16 rows = 4 x 4"/10 x 10 cm over Ridge pat 1 or 2 using size US 15 (10 mm) needles.

Ridge pat 1: *Work 2 rows rev St st, 2 rows St st; rep from * for Ridge pat 1.

Ridge pat 2: *Work 4 rows rev St st, 4 rows St st; rep from * for Ridge pat 2.

Gauge 2: 12 sts and 16 rows = 4 x 4"/10 x 10 cm over Cable Pat 1 or 2 using size US 15 (10 mm) needles.

Cable pat 1: Work over 14 sts foll Chart 1. Only the odd-numbered (RS) rows are shown. Work the even-numbered (WS) rows as K the knit sts and P the purl sts. Rep rows 1 – 4 for Cable pat 1.

Cable pat 2: Work over 34 sts foll Chart 2. Only the odd-numbered (RS) rows are shown. Work the even-numbered (WS) rows as K the knit sts and P the purl sts. Rep rows 1 – 26 once, then cont to rep rows 3 – 26 for Cable pat 2.

Short Row Wrapping (wrap and turn - w&t)

1) Wyib, sl next st purlwise.

2) Move yarn between the needles to the front.

3) Sl the same st back to LH needle. Turn work, bring yarn to the knit side between needles. One st is wrapped.

4) When short rows are completed, hide the wraps as foll: work to just before wrapped st, insert RH needle under the wrap and knitwise into the wrapped st, k the wrap tog with st on needle.

Full-fashioned Decreases:

At RH side: 1 selvage st, K1, SKP (sl 1, K1, pss0), work to last 4 sts; At LH side: K2tog, K1, 1 selvage st.

Full-fashioned Increases:

At RH side: 1 selvage st, K1 or P1 (keeping to pat), M1 (insert LH needle into horizontal strand between last st worked and next st on needle, K1tbl into this strand), work to last 2 sts; At LH side: M1, K1 or P1 (keeping to pat), 1 selvage st.

Instructions:

The Left Front, lower and top part of the Back and Right Front with Shawl Collar is worked in one piece.

Begin with the center Back of the Shawl Collar and the top of the Back:

Cast on 72 sts and work pats as foll: Row 1 (RS): 1 selvage st, K1, 21 sts Ridge pat 1, 14 sts Cable pat 1, 34 sts Cable pat 2, 1 selvage st. Cont in pats as established for 9 rows more. Work short rows as foll:

Next row (RS): Work 25 sts, w & t, work to end. Next row (RS): Work 36 sts, w & t, work to end. Next row (RS): Work 67 sts, w & t, work to end. Work 6 rows even over all sts. Rep from * to * 3 times in total.

All rights reserved. No part may be reproduced in any form without written permission from the publisher. This includes the reproduction, translation and microfilming as well as storing and processing in electronic systems. It is also not permitted to scan, save to PC or CD, to change or manipulate images.

* Cont to work short rows after the 25th, 36th and 67th st every 2nd row as before, then work 2 rows even over all sts*. Rep from * to * 5 times in total.

* Cont to work short rows after the 18th, 29th, and 60th st every 2nd row, then work 8 rows even over all sts*. Rep from * to * 7 times in total.

* Cont to work short rows after the 18th, 29th, and 60th st every 2nd row, then work 6 rows even over all sts*. Rep from * to * 5 times in total.

* Cont to work short rows after the 18th, 29th, and 60th st every 2nd row, then work 8 rows even over all sts*. Rep from * to * 7 times in total.

* Cont to work short rows after the 18th, 29th, and 60th st every 2nd row, then work 2 rows even over all sts*. Rep from * to * 5 times in total.

* Cont to work short rows after the 25th, 36th and 67th st every 2nd row, then work 6 rows even over all sts*. Rep from * to * 4 times in total.

Work 2 rows even over all sts. After 432 rows (the right edge measures approx 105 1/2"/268 cm), bind off 72 sts loosely.

Read carefully through the following instructions.

After 54 rows in Ridge pat 1 for the Collar shaping, work Full-fashioned dec at RH side every 4th row 7 times,

AT THE SAME TIME on the 35th row of Cable pat 1 (see Armhole Chart) divide the work for the left armhole: work in pat over the first 54 sts and cont short rows as established. At LH side for the Armhole, bind off 2 sts 3 times and 1 st once. After 82 rows, that is on the 57th row of the Cable pat, at LH side inc 1 st once and cast on 2 sts 3 times, and place 54 sts on a holder. Then work over the 18 sts on left side as foll: at RH side for the Armhole, bind off 2 sts 3 times and 1 st once. Cont the short rows as established. When there are the same number of rows as the first side with 54 sts, inc at RH side every 2nd row 1 st once and cast on 2 sts 3 times (=18 sts). Then work all sts on one needle and cont in pat (after the collar decreases there are 65 sts on needle).

After 215 rows in Ridge pat 1 the center is reached. Place a marker.

After 227 rows in Cable pat 2 work the right armhole to correspond with the left armhole, reversing shaping.

After 356 rows in Ridge pat 1 for the Collar, work Full-fashioned increases at RH side every 4th row 7 times.

After 432 rows in Ridge pat 1 and 290 rows in Cable pat 2 (= 12 repeats) bind off all sts.

Sleeves:

Cast on 48 sts and work in Ridge pat 2, working Full-fashioned dec each side on the 15th row, then every 8th row 4 times = 38 sts. On the 71st and 77th row from beg, inc 1 st each side, then every 4th row 4 times = 50 sts. Work even until piece measures 24 1/2"/62 cm from beg. Bind off sts loosely.

Inner Back:

Cast on 12 sts and work in Ridge pat for 2 rows. Cont in pat, casting on 3 sts at beg of next 2 rows, 2 sts at beg of next 8 rows and 1 st at beg of next 6 rows = 40 sts. When piece measures 13 3/4"/35 cm (= 56 rows) from beg, bind off 2 sts at beg of next 10 rows then bind off rem 20 sts.

Finishing:

Block pieces to measurements. Sew back seam of Shawl Collar for the upper back. Sew the inner back to the collar. Set in sleeves and sew sleeve seams.

Chart 1

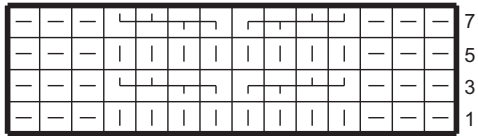
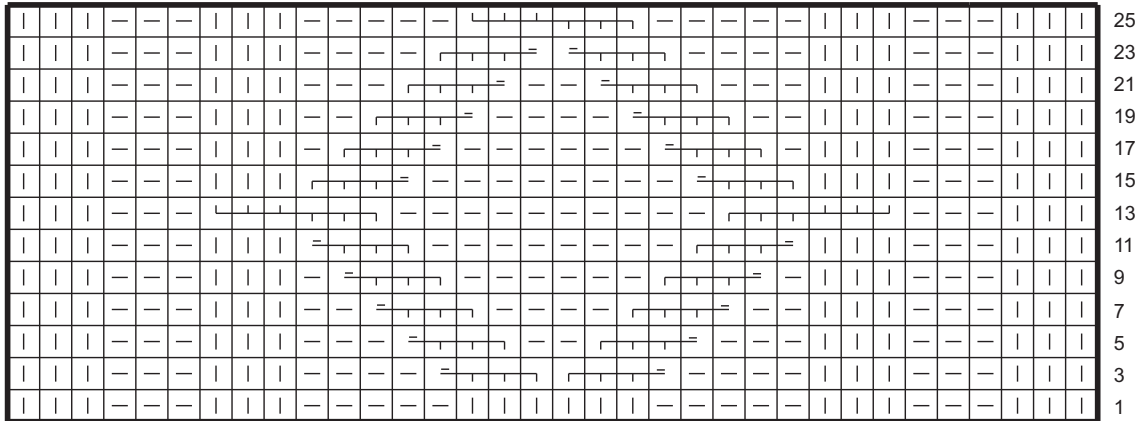
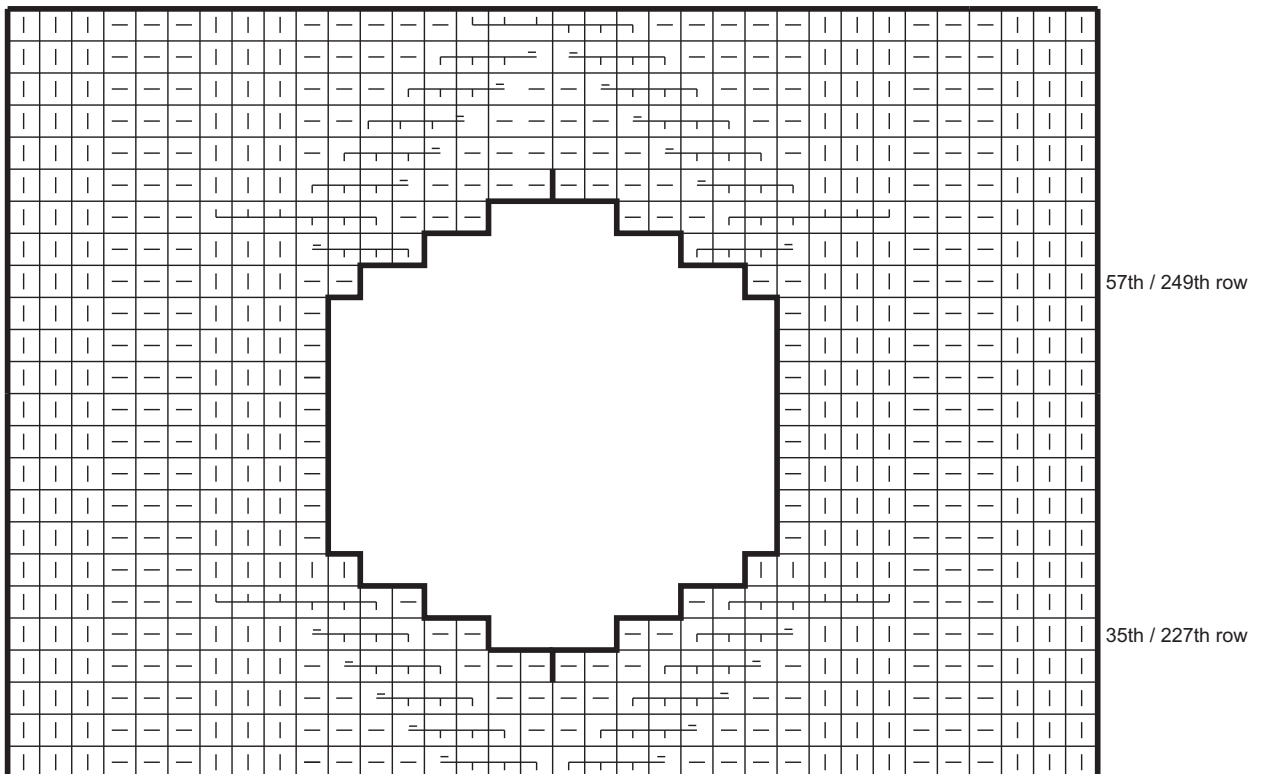


Chart 2



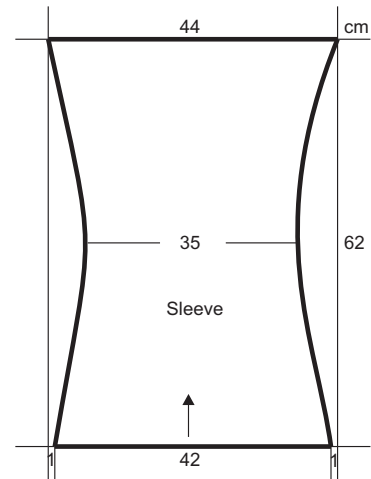
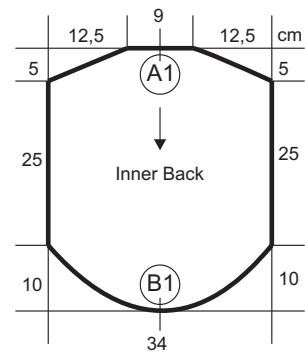
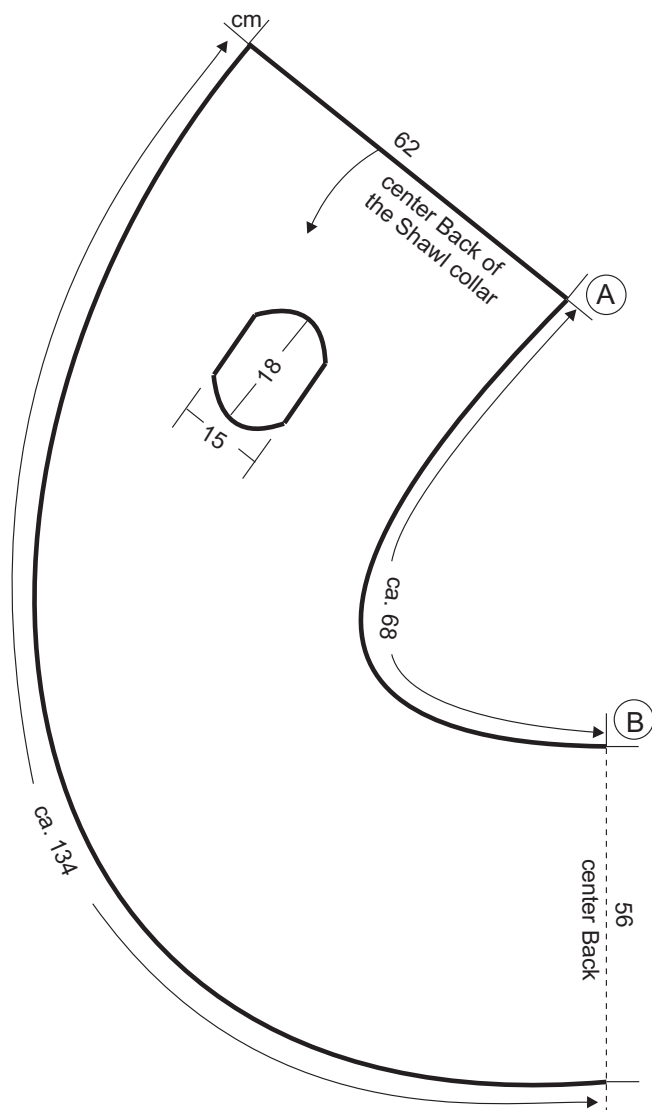
Armhole Chart



All rights reserved. No part may be reproduced in any form without written permission from the publisher. This includes the reproduction, translation and microfilming as well as storing and processing in electronic systems. It is also not permitted to scan, save to PC or CD, to change or manipulate images.

Schoeller Süßen GmbH · Postfach 1160 · D-73073 Süßen ·
 Phone +49/7162-93050-15 · Fax +49/7162-430-80 · www.austermann-wolle.de

| | |
|-----------|---|
| | = 1 knit st (k on RS, p on WS) |
| — | = 1 purl st (p on RS, k on WS) |
| — — — | = Slip 3 sts to cn and hold to front of work, P1, K3 from cn. |
| — — — | = Slip 1 st to cn and hold to back of work, K3, P1 from cn. |
| — — — | = Slip 2 sts to cn and hold to front of work, K2, K2 from cn. |
| — — — | = Slip 2 sts to cn and hold to back of work, K2, K2 from cn. |
| — — — — — | = Slip 3 sts to cn and hold to front of work, K3, K3 from cn. |
| — — — — — | = Slip 3 sts to cn and hold to back of work, K3, K3 from cn. |



All rights reserved. No part may be reproduced in any form without written permission from the publisher. This includes the reproduction, translation and microfilming as well as storing and processing in electronic systems. It is also not permitted to scan, save to PC or CD, to change or manipulate images.

Schoeller Süssen GmbH · Postfach 1160 · D-73073 Süssen ·
 Phone +49/7162-93050-15 · Fax +49/7162-430-80 · www.austermann-wolle.de